

Residential One Lines

Madison Gas and Electric

PV MODULES
 ___ W MODULES
 ___ MODULES
 ___ STRINGS OF ___ MODULES

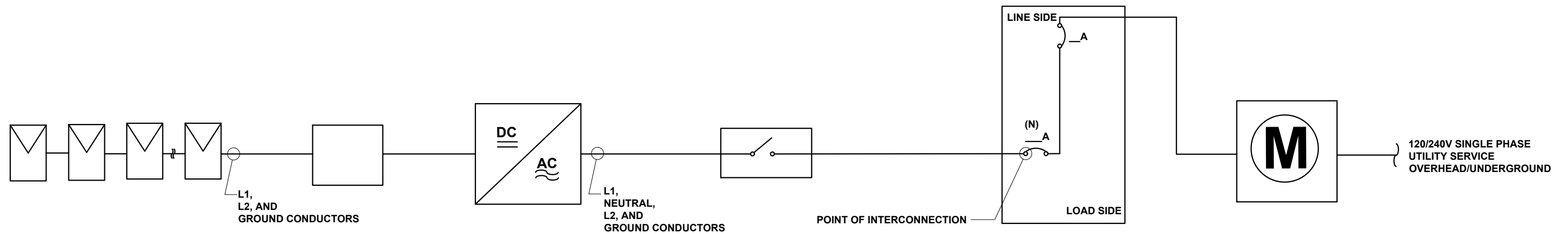
COMBINER BOX
 TYPE
 RATINGS

INVERTER (Qty. ___)
 ___ W, ___ V
 SINGLE PHASE
 UL1741 CERTIFIED

UTILITY PV DISCONNECT
 ___ A, ___ V
 VISIBLE OPEN, LOCKABLE
 READILY ACCESSIBLE

(NEW/EXISTING)
 MAIN SERVICE PANEL
 ___ A

(NEW/EXISTING)
 UTILITY-OWNED METER
 LOCATED (INSIDE/OUTSIDE)



PROJECT INFORMATION
 ADDRESS:
 123 EXAMPLE STREET,
 CITY, STATE 00000

SYSTEM DETAILS
 DC SYSTEM SIZE: ___ kW.
 AC SYSTEM SIZE: ___ kW.
 MAXIMUM POWER: ___ kW.
 OPERATING VOLTAGE: ___ V.



**MADISON
 GAS & ELECTRIC CO.**
 MADISON - WISCONSIN

DER SAMPLE ONE-LINE

RESIDENTIAL LOAD-SIDE MAIN PANEL INTERCONNECTION

DWN:PN	DATE:09/27/2024	SH. 1 OF 1	REV
CHK'D:	APP'D:		0

PV MODULES
 ___ W MODULES
 ___ MODULES
 ___ STRINGS OF ___ MODULES

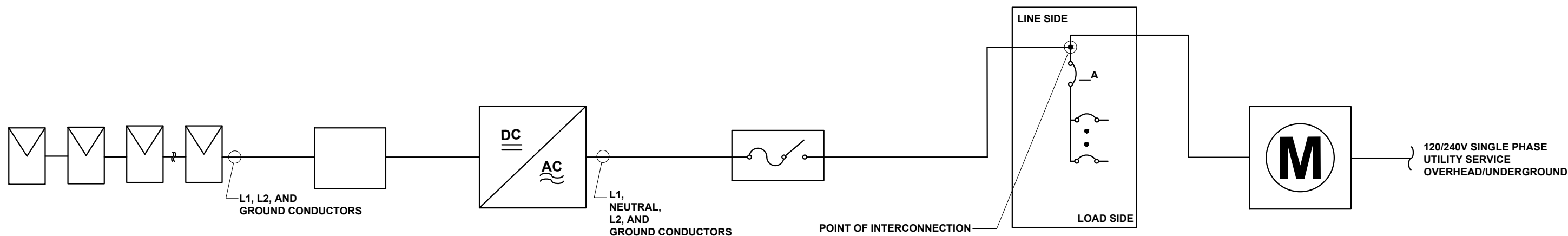
COMBINER BOX
 TYPE
 RATINGS

INVERTER (Qty. ___)
 ___ W, ___ V
 SINGLE PHASE
 UL1741 CERTIFIED

UTILITY PV DISCONNECT
 ___ A, ___ V
 VISIBLE OPEN, LOCKABLE
 READILY ACCESSIBLE
 FUSED
 FUSE RATINGS

(NEW/EXISTING)
 MAIN SERVICE PANEL
 ___ A

(NEW/EXISTING)
 UTILITY-OWNED METER
 LOCATED (INSIDE/OUTSIDE)



PROJECT INFORMATION
 ADDRESS:
 123 EXAMPLE STREET,
 CITY, STATE 00000

SYSTEM DETAILS
 DC SYSTEM SIZE: ___ kW.
 AC SYSTEM SIZE: ___ kW.
 MAXIMUM POWER: ___ kW.
 OPERATING VOLTAGE: ___ V.



**MADISON
 GAS & ELECTRIC CO.**
 MADISON - WISCONSIN

DER SAMPLE ONE-LINE

RESIDENTIAL LINE-SIDE MAIN PANEL INTERCONNECTION

DWN:PN	DATE:09/27/2024	SH. 1 OF 1	REV
CHK'D:	APP'D:		0

PV MODULES
 ___ W MODULES
 ___ MODULES
 ___ STRINGS OF ___ MODULES

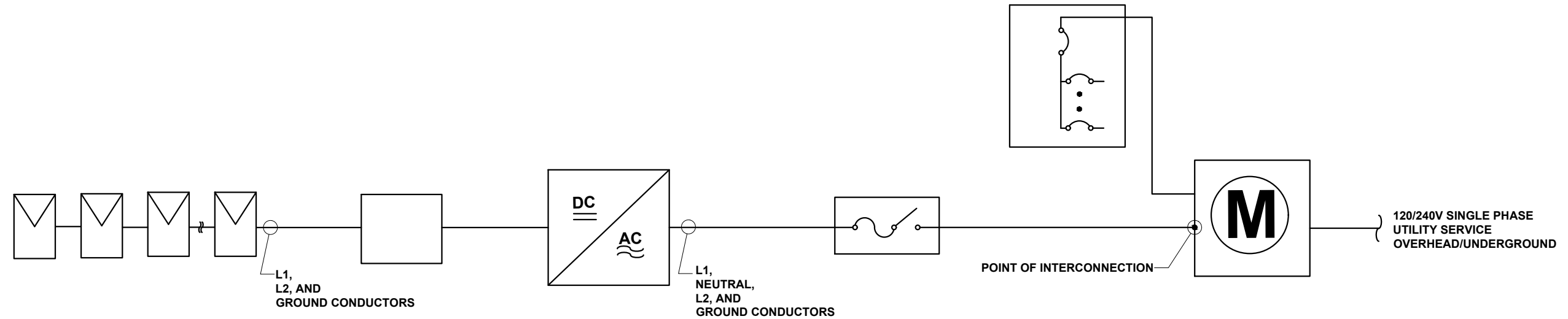
COMBINER BOX
 TYPE
 RATINGS

INVERTER (Qty. ___)
 ___ W, ___ V
 SINGLE PHASE
 UL1741 CERTIFIED

UTILITY PV DISCONNECT
 ___ A, ___ V
 VISIBLE OPEN, LOCKABLE
 READILY ACCESSIBLE
 FUSED
 FUSE RATINGS

(NEW/EXISTING)
 MAIN SERVICE PANEL
 ___ A

(NEW/EXISTING)
 UTILITY-OWNED METER
 LOCATED (INSIDE/OUTSIDE)



NOTE: ONLY
 MANUFACTURE-APPROVED METER
 LUGS ARE ALLOWED.

NO SPLICING OR TAPPING IS ALLOWED
 AT THE POINT OF INTERCONNECTION
 _____ LUG KIT TO BE USED

PROJECT INFORMATION
 ADDRESS:
 123 EXAMPLE STREET,
 CITY, STATE 00000

SYSTEM DETAILS
 DC SYSTEM SIZE: ___ kW.
 AC SYSTEM SIZE: ___ kW.
 MAXIMUM POWER: ___ kW.
 OPERATING VOLTAGE: ___ V.



**MADISON
 GAS & ELECTRIC CO.**
 MADISON - WISCONSIN

DER SAMPLE ONE-LINE

RESIDENTIAL METER SOCKET INTERCONNECTION

DWN:PN	DATE:09/27/2024	SH. 1 OF 1	REV
CHK'D:	APP'D:		0

PV MODULES
 ___ W MODULES
 ___ MODULES
 ___ STRINGS OF ___ MODULES

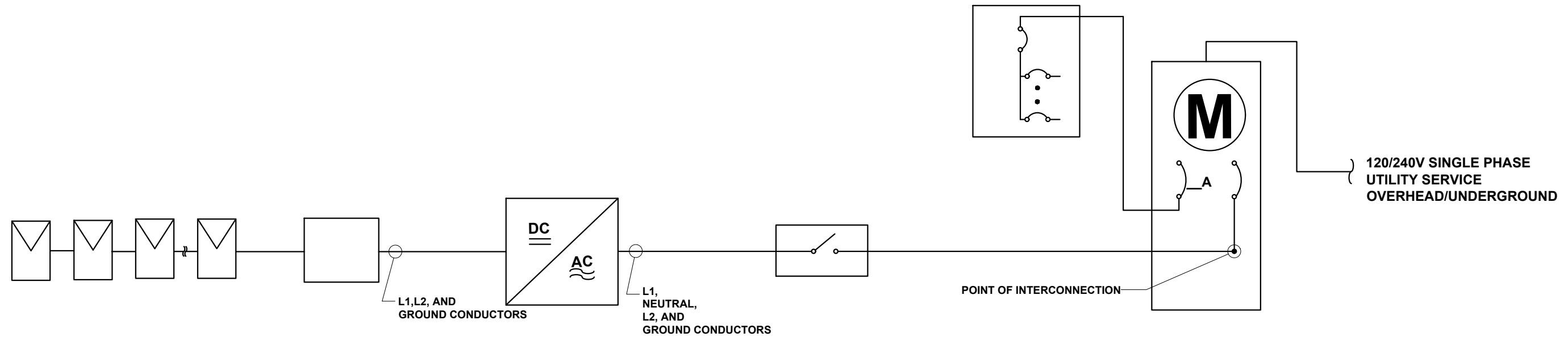
COMBINER BOX
 TYPE
 RATINGS

INVERTER (Qty. ___)
 ___ W, ___ V
 SINGLE PHASE
 UL1741 CERTIFIED

UTILITY PV DISCONNECT
 ___ A, ___ V
 VISIBLE OPEN, LOCKABLE
 READILY ACCESSIBLE

(NEW/EXISTING)
 MAIN SERVICE PANEL
 ___ A

(NEW/EXISTING)
 UTILITY-OWNED METER
 LOCATED (INSIDE/OUTSIDE)



PROJECT INFORMATION
 ADDRESS:
 123 EXAMPLE STREET,
 CITY, STATE 00000

SYSTEM DETAILS
 DC SYSTEM SIZE: ___ kW.
 AC SYSTEM SIZE: ___ kW.
 MAXIMUM POWER: ___ kW.
 OPERATING VOLTAGE: ___ V.



**MADISON
 GAS & ELECTRIC CO.**
 MADISON - WISCONSIN

DER SAMPLE ONE-LINE

RESIDENTIAL BREAKER-METER ENCLOSURE INTERCONNECTION

DWN:PN	DATE:09/27/2024	SH. 1 OF 1	REV
CHK'D:	APP'D:		0

PV MODULES
 ___ W MODULES
 ___ MODULES
 ___ STRINGS OF ___ MODULES

COMBINER BOX
 TYPE
 RATINGS

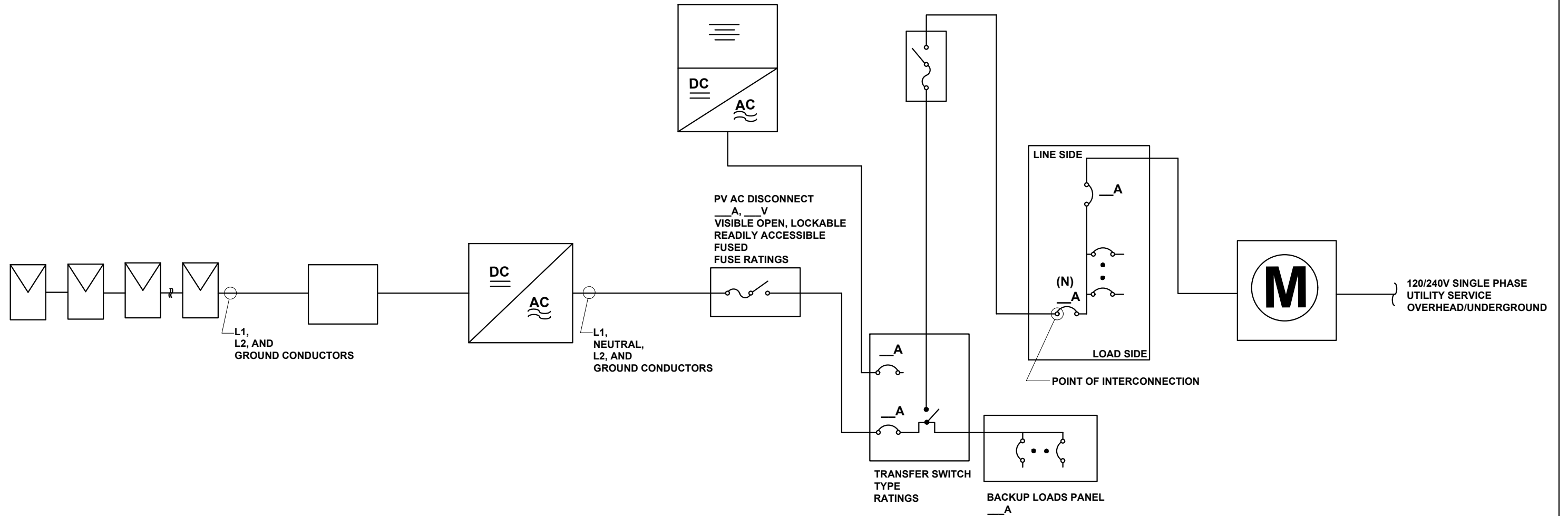
INVERTER (Qty. ___)
 ___ W, ___ V
 SINGLE PHASE
 UL1741 CERTIFIED

ENERGY STORAGE
 TYPE
 ___ KW
 ___ KWH

UTILITY PV DISCONNECT
 ___ A, ___ V
 VISIBLE OPEN, LOCKABLE
 READILY ACCESSIBLE
 FUSED
 FUSE RATINGS

(NEW/EXISTING)
 MAIN SERVICE PANEL
 ___ A

(NEW/EXISTING)
 UTILITY-OWNED METER
 LOCATED (INSIDE/OUTSIDE)



PROJECT INFORMATION
 ADDRESS:
 123 EXAMPLE STREET,
 CITY, STATE 00000

SYSTEM DETAILS
 DC SYSTEM SIZE: ___ kW.
 AC SYSTEM SIZE: ___ kW.
 MAXIMUM POWER: ___ kW.
 OPERATING VOLTAGE: ___ V.



**MADISON
 GAS & ELECTRIC CO.**
 MADISON - WISCONSIN

DER SAMPLE ONE-LINE

RESIDENTIAL PARTIAL-HOME BATTERY BACKUP INTERCONNECTION

DWN:PN	DATE:09/27/2024	SH. 1 OF 1	REV
CHK'D:	APP'D:		0

PV MODULES
 ___ W MODULES
 ___ MODULES
 ___ STRINGS OF ___ MODULES

COMBINER BOX
 TYPE
 RATINGS

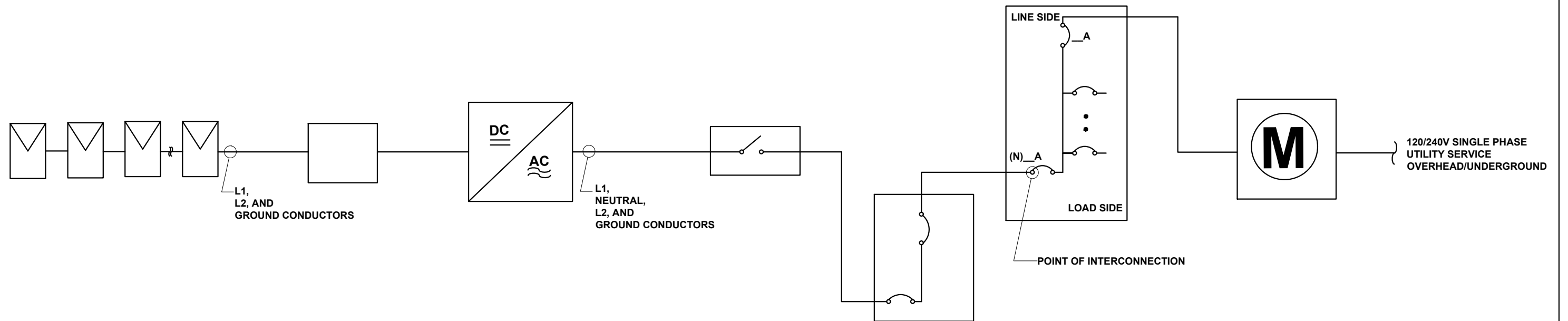
INVERTER (Qty. ___)
 ___ W, ___ V
 SINGLE PHASE
 UL1741 CERTIFIED

UTILITY PV DISCONNECT
 ___ A, ___ V
 VISIBLE OPEN, LOCKABLE
 READILY ACCESSIBLE

(NEW/EXISTING)
 SUBPANEL
 ___ A

(NEW/EXISTING)
 MAIN SERVICE PANEL
 ___ A

(NEW/EXISTING)
 UTILITY-OWNED METER
 LOCATED (INSIDE/OUTSIDE)



PROJECT INFORMATION
 ADDRESS:
 123 EXAMPLE STREET,
 CITY, STATE 00000

SYSTEM DETAILS
 DC SYSTEM SIZE: ___ kW.
 AC SYSTEM SIZE: ___ kW.
 MAXIMUM POWER: ___ kW.
 OPERATING VOLTAGE: ___ V.



**MADISON
 GAS & ELECTRIC CO.**
 MADISON - WISCONSIN

DER SAMPLE ONE-LINE

RESIDENTIAL LOAD-SIDE SUB-PANEL INTERCONNECTION

DWN:PN	DATE:09/27/2024	SH. 1 OF 1	REV
CHK'D:	APP'D:		0

PV MODULES
 ___ W MODULES
 ___ MODULES
 ___ STRINGS OF ___ MODULES

COMBINER BOX
 TYPE
 RATINGS

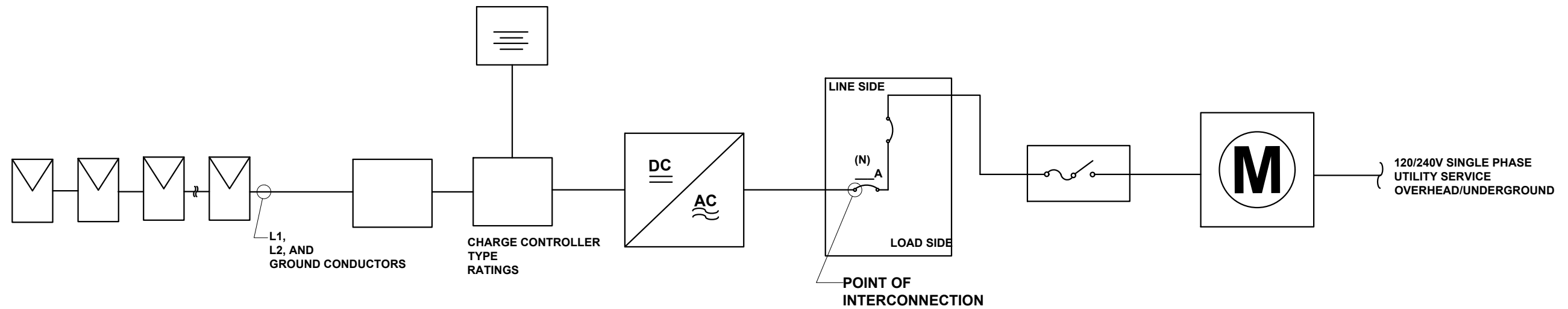
ENERGY STORAGE
 TYPE
 RATING

INVERTER (Qty. ___)
 ___ W, ___ V
 SINGLE PHASE
 UL1741 CERTIFIED

(NEW/EXISTING)
 MAIN SERVICE PANEL
 ___ A

PV AC DISCONNECT
 ___ A, ___ V
 VISIBLE OPEN, LOCKABLE
 READILY ACCESSIBLE
 FUSED
 FUSE RATINGS

(NEW/EXISTING)
 UTILITY-OWNED METER
 LOCATED (INSIDE/OUTSIDE)



PROJECT INFORMATION
 ADDRESS:
 123 EXAMPLE STREET,
 CITY, STATE 00000

SYSTEM DETAILS
 DC SYSTEM SIZE: ___ kW.
 AC SYSTEM SIZE: ___ kW.
 MAXIMUM POWER: ___ kW.
 OPERATING VOLTAGE: ___ V.



**MADISON
 GAS & ELECTRIC CO.**
 MADISON - WISCONSIN

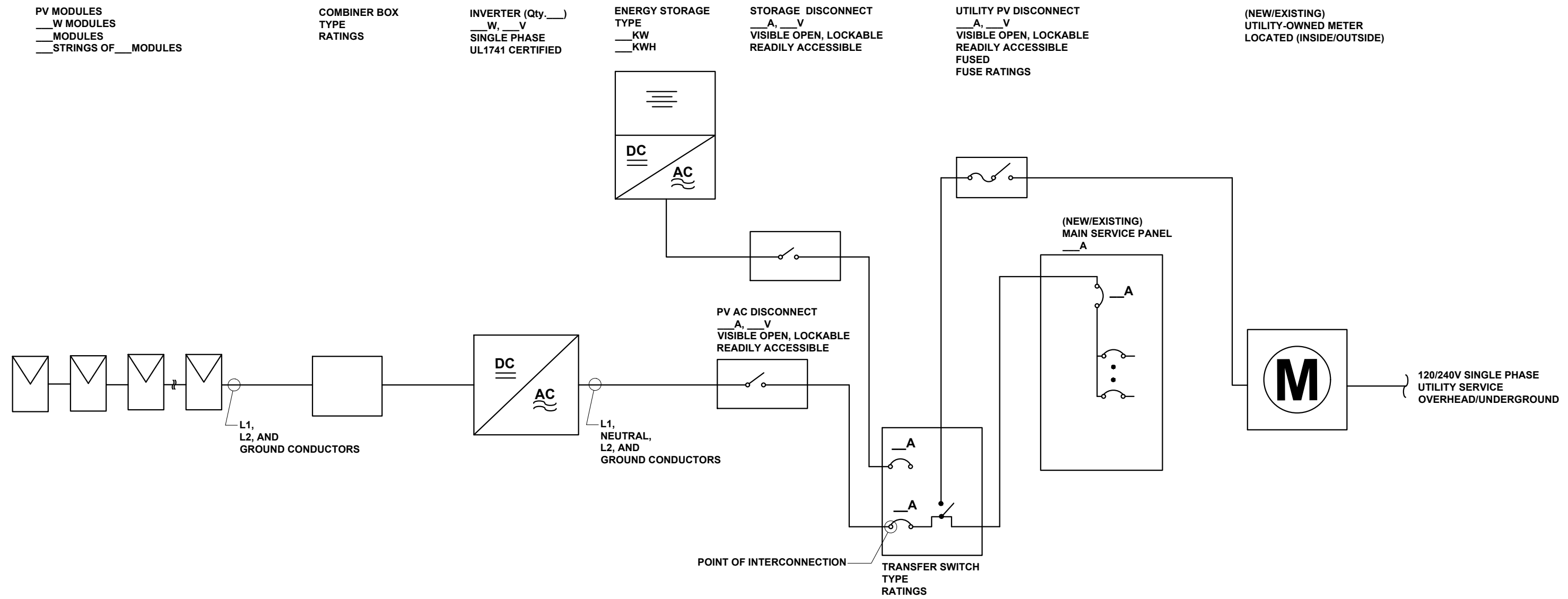
DER SAMPLE ONE-LINE

RESIDENTIAL WHOLE-HOME BACKUP

DWN:PN	DATE:09/27/2024
CHK'D:	APP'D:


SH. 1 OF 1

REV	0
-----	---



PROJECT INFORMATION
ADDRESS:
123 EXAMPLE STREET,
CITY, STATE 00000

SYSTEM DETAILS
DC SYSTEM SIZE: ___ kW.
AC SYSTEM SIZE: ___ kW.
MAXIMUM POWER: ___ kW.
OPERATING VOLTAGE: ___ V.

		MADISON GAS & ELECTRIC CO. MADISON - WISCONSIN	
		DER SAMPLE ONE-LINE	
RESIDENTIAL WHOLE-HOME BATTERY BACKUP WITH ATS			
DWN:PN	DATE:09/27/2024	SH. 1 OF 1	REV 0
CHK'D:	APP'D:		

© MGE 2024 - The information contained on this page is the sole property of MGE and is to be used only by MGE personnel or MGE contractors at the direction of an authorized MGE employee. MGE is not liable for any and all damages that arise out of use of this information.

PV MODULES
 ___ W MODULES
 ___ MODULES
 ___ STRINGS OF ___ MODULES

COMBINER BOX
 TYPE
 RATINGS

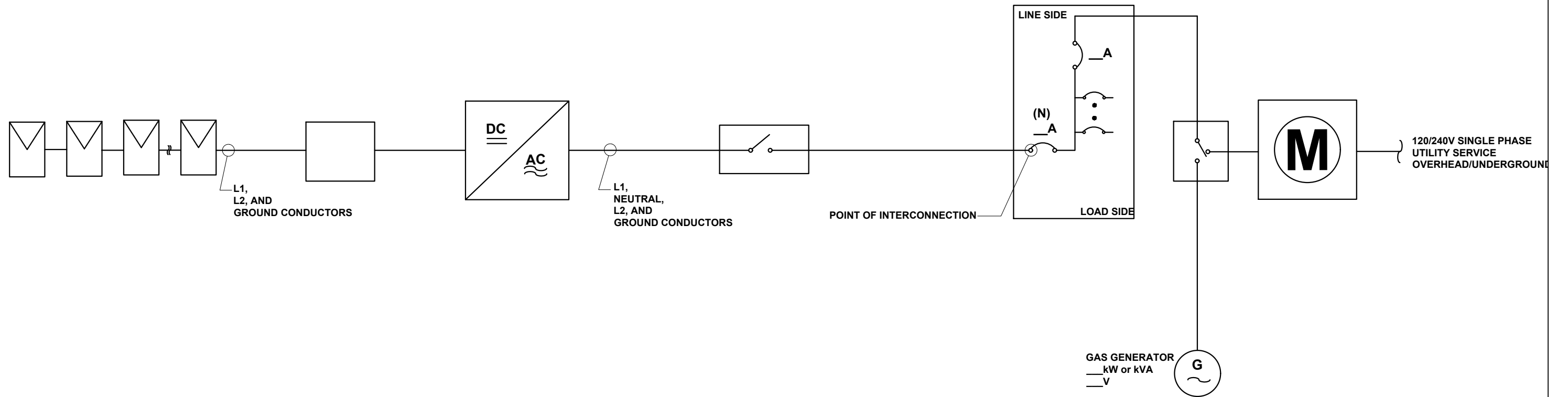
INVERTER (Qty. ___)
 ___ W ___ V
 SINGLE PHASE
 UL1741 CERTIFIED

UTILITY PV DISCONNECT
 ___ A, ___ V
 VISIBLE OPEN, LOCKABLE
 READILY ACCESSIBLE

(NEW/EXISTING)
 MAIN SERVICE PANEL
 ___ A

AUTOMATIC
 TRANSFER
 SWITCH
 RATINGS

(NEW/EXISTING)
 UTILITY-OWNED METER
 LOCATED (INSIDE/OUTSIDE)



PROJECT INFORMATION
ADDRESS:
 123 EXAMPLE STREET,
 CITY, STATE 00000

SYSTEM DETAILS
 DC SYSTEM SIZE: ___ kW.
 AC SYSTEM SIZE: ___ kW.
 MAXIMUM POWER: ___ kW.
 OPERATING VOLTAGE: ___ V.



**MADISON
 GAS & ELECTRIC CO.**
 MADISON - WISCONSIN

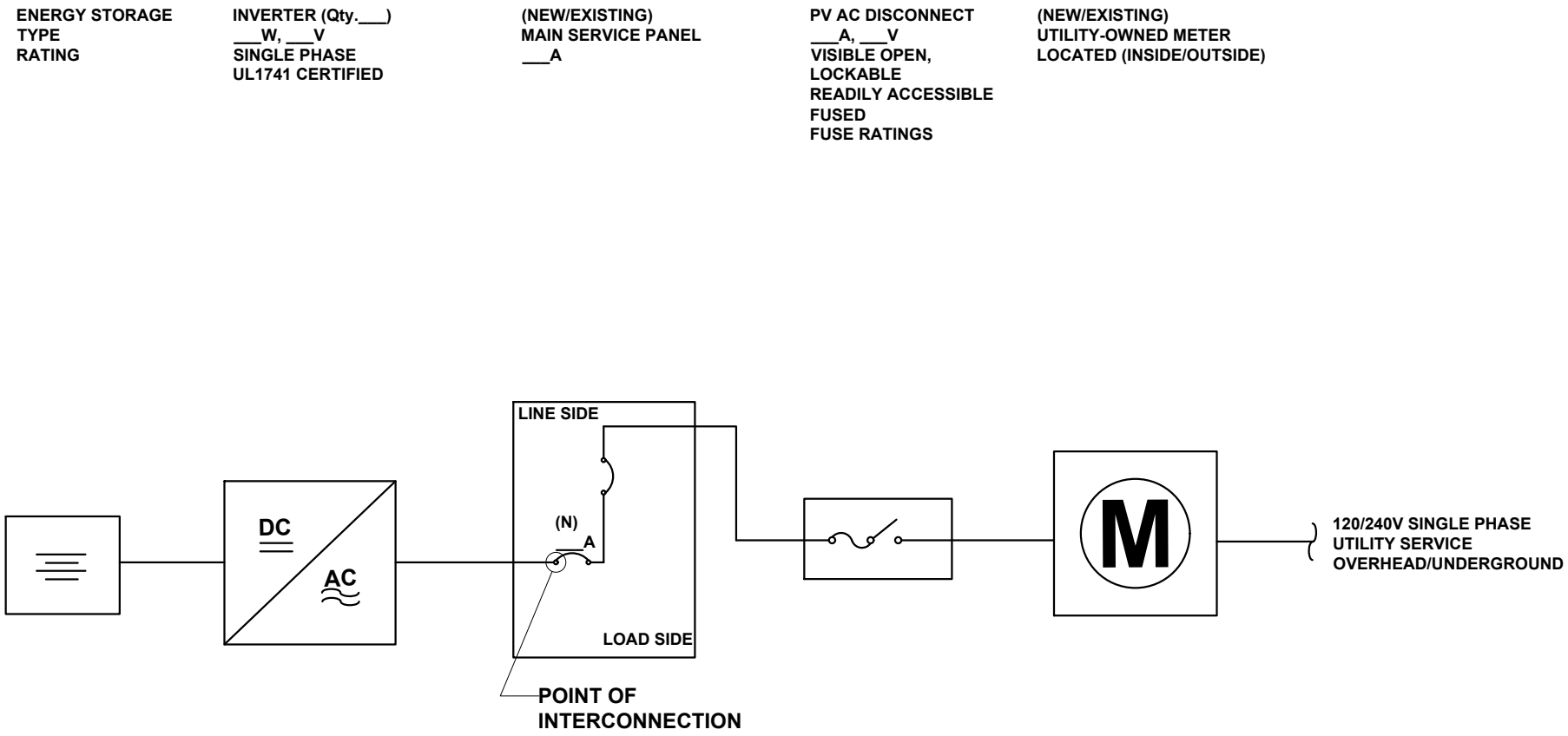
DER SAMPLE ONE-LINE

RESIDENTIAL INTERCONNECTION WITH GAS GENERATOR

DWN:PN	DATE:09/27/2024
CHK'D:	APP'D:

SH. 1 OF 1

REV	0
-----	---



ENERGY STORAGE
TYPE
RATING

INVERTER (Qty. ___)
___W, ___V
SINGLE PHASE
UL1741 CERTIFIED

(NEW/EXISTING)
MAIN SERVICE PANEL
___A

PV AC DISCONNECT
___A, ___V
VISIBLE OPEN,
LOCKABLE
READILY ACCESSIBLE
FUSED
FUSE RATINGS

(NEW/EXISTING)
UTILITY-OWNED METER
LOCATED (INSIDE/OUTSIDE)

PROJECT INFORMATION
ADDRESS:
123 EXAMPLE STREET,
CITY, STATE 00000

SYSTEM DETAILS
DC SYSTEM SIZE: ___ kW.
AC SYSTEM SIZE: ___ kW.
MAXIMUM POWER: ___ kW.
OPERATING VOLTAGE: ___ V.



**MADISON
GAS & ELECTRIC CO.**
MADISON - WISCONSIN

DER SAMPLE ONE-LINE

RESIDENTIAL WHOLE-HOME BACKUP STORAGE ONLY
INTERCONNECTION

DWN:PN

DATE:09/27/2024

SH. 1 OF 1

REV

CHK'D:

APP'D:

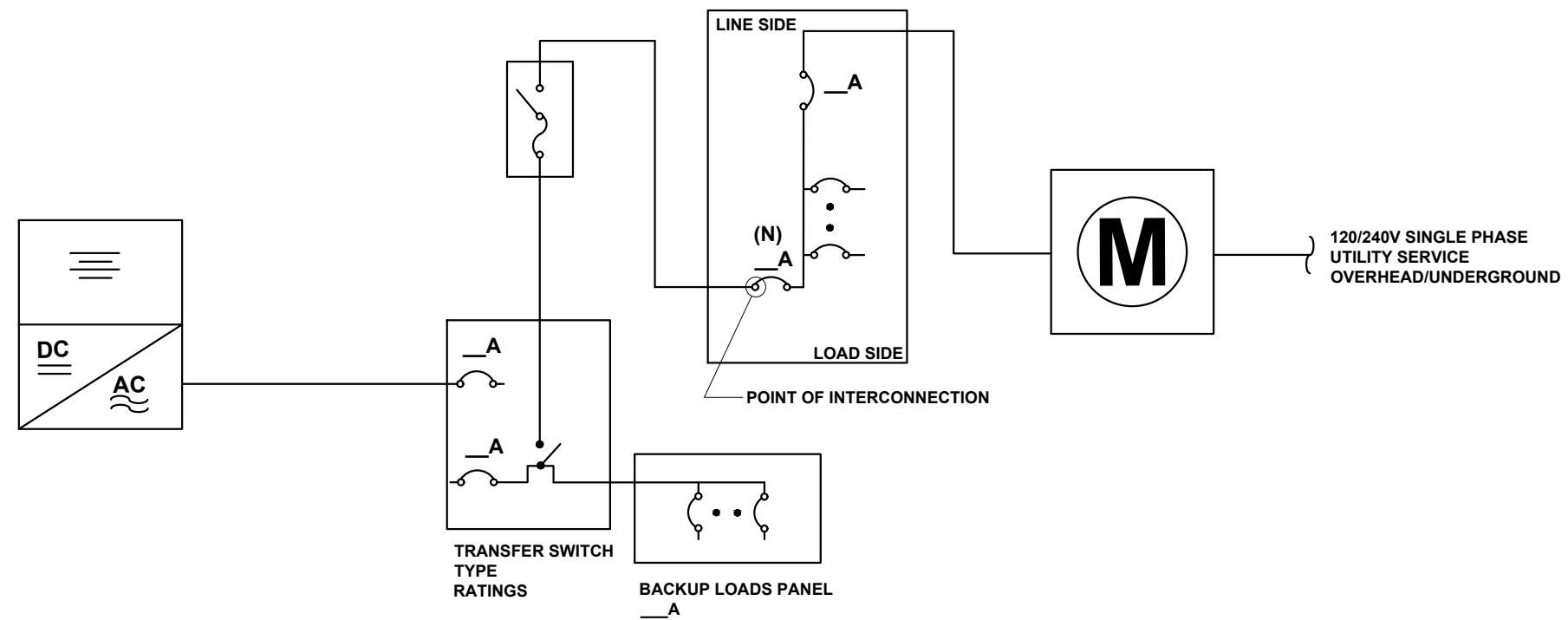
0

ENERGY STORAGE
TYPE
__KW
__KWH

UTILITY PV DISCONNECT
__A, __V
VISIBLE OPEN, LOCKABLE
READILY ACCESSIBLE
FUSED
FUSE RATINGS

(NEW/EXISTING)
MAIN SERVICE PANEL
__A

(NEW/EXISTING)
UTILITY-OWNED METER
LOCATED (INSIDE/OUTSIDE)



PROJECT INFORMATION
ADDRESS:
123 EXAMPLE STREET,
CITY, STATE 00000

SYSTEM DETAILS
DC SYSTEM SIZE: __ kW.
AC SYSTEM SIZE: __ kW.
MAXIMUM POWER: __ kW.
OPERATING VOLTAGE: __ V.



**MADISON
GAS & ELECTRIC CO.**
MADISON - WISCONSIN

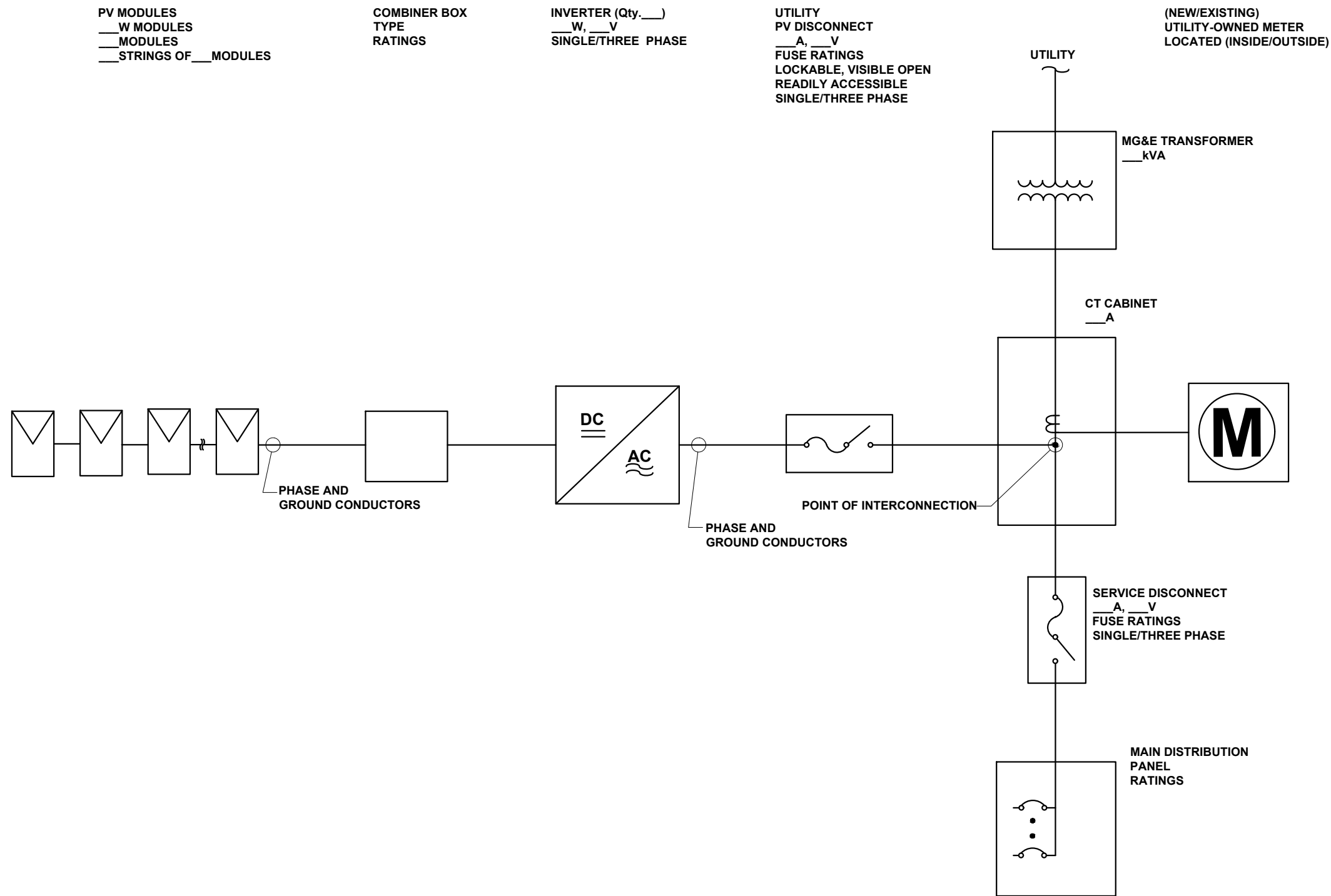
DER SAMPLE ONE-LINE

STORAGE ONLY CRITICAL LOADS BACKUP INTERCONNECTION

DWN:PN	DATE:09/27/2024	SH. 1 OF 1	REV
CHK'D:	APP'D:		0

Commercial One Line

Madison Gas and Electric



PROJECT INFORMATION
ADDRESS:
 123 EXAMPLE STREET,
 CITY, STATE 00000

SYSTEM DETAILS
 DC SYSTEM SIZE: __ kW.
 AC SYSTEM SIZE: __ kW.
 MAXIMUM POWER: __ kW.
 OPERATING VOLTAGE: __ V.

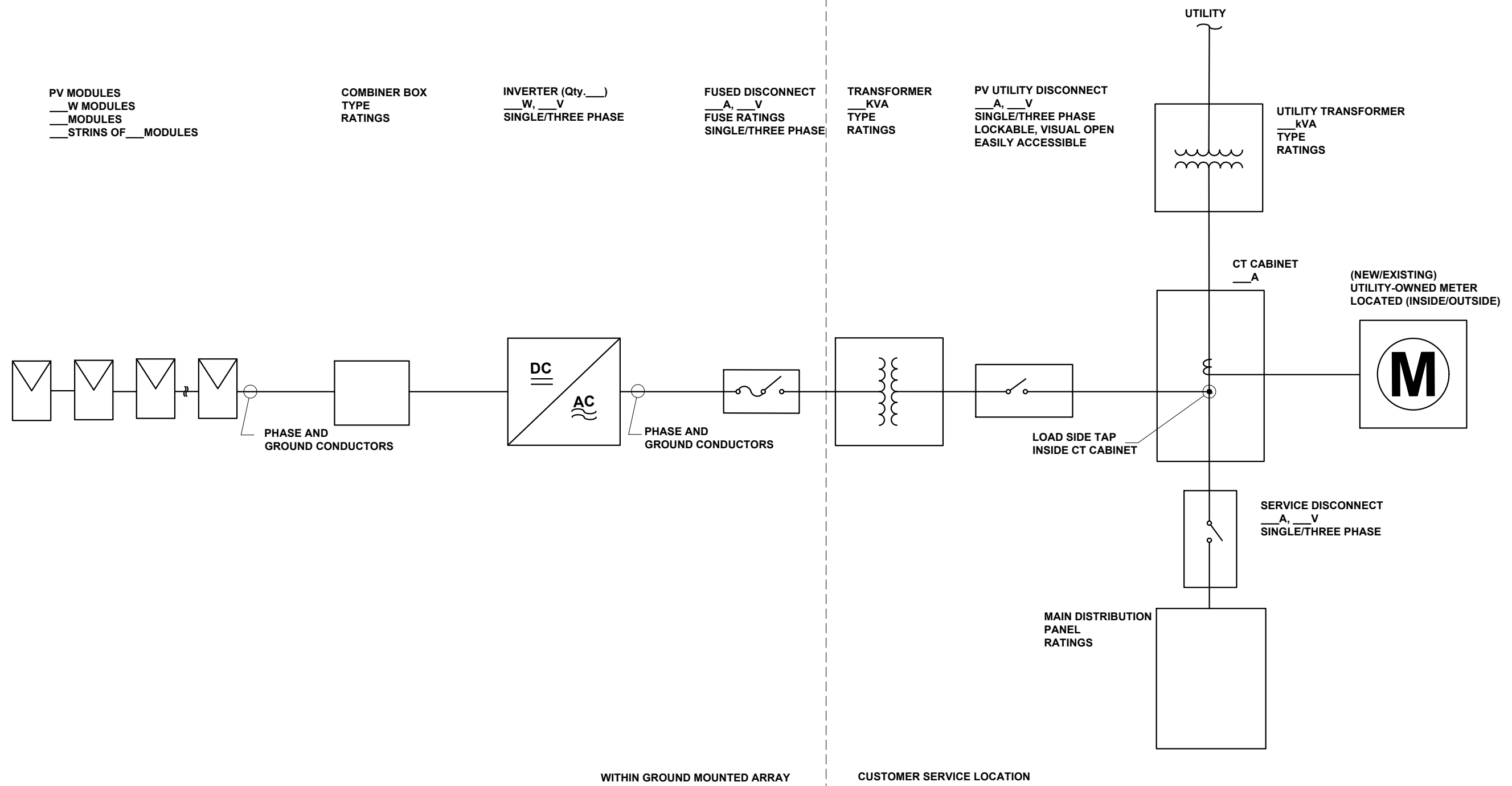


**MADISON
 GAS & ELECTRIC CO.**
 MADISON - WISCONSIN

DER SAMPLE ONE-LINE

COMMERCIAL ROOFTOP LOAD-SIDE OF CT CABINET

DWN:PN	DATE:09/27/2024	SH. 1 OF 1	REV
CHK'D:	APP'D:		0



PROJECT INFORMATION

ADDRESS:
123 EXAMPLE STREET,
CITY, STATE 00000

SYSTEM DETAILS

DC SYSTEM SIZE: __ kW.
AC SYSTEM SIZE: __ kW.
MAXIMUM POWER: __ kW.
OPERATING VOLTAGE: __ V.



**MADISON
GAS & ELECTRIC CO.**
MADISON - WISCONSIN

DER SAMPLE ONE-LINE

COMMERCIAL GROUND MOUNT INTERCONNECTION

DWN:PN	DATE:09/06/2024	SH. 1 OF 1	REV
CHK'D:	APP'D:		0

PV MODULES
 ___ W MODULES
 ___ MODULES
 ___ STRINGS OF ___ MODULES

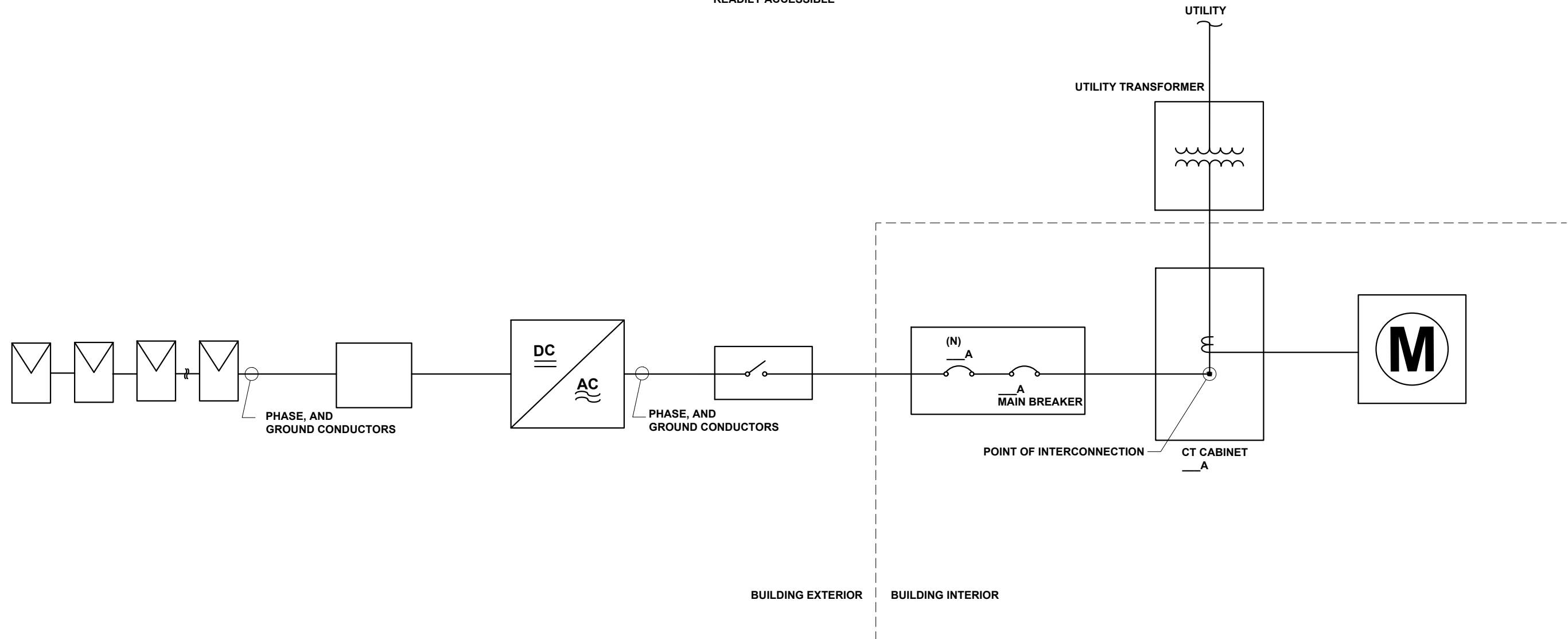
COMBINER BOX
 TYPE
 RATINGS

INVERTER (Qty. ___)
 ___ W, ___ V
 SINGLE/THREE PHASE

PV UTILITY DISCONNECT
 ___ A, ___ V
 SINGLE/THREE PHASE
 LOCKABLE, VISUAL OPEN
 READILY ACCESSIBLE

MAIN SWITCHBOARD
 ___ V
 ___ A

(NEW/EXISTING)
 UTILITY-OWNED METER
 LOCATED (INSIDE/OUTSIDE)



PROJECT INFORMATION
 ADDRESS:
 123 EXAMPLE STREET,
 CITY, STATE 00000

SYSTEM DETAILS
 DC SYSTEM SIZE: ___ kW.
 AC SYSTEM SIZE: ___ kW.
 MAXIMUM POWER: ___ kW.
 OPERATING VOLTAGE: ___ V.



**MADISON
 GAS & ELECTRIC CO.**
 MADISON - WISCONSIN

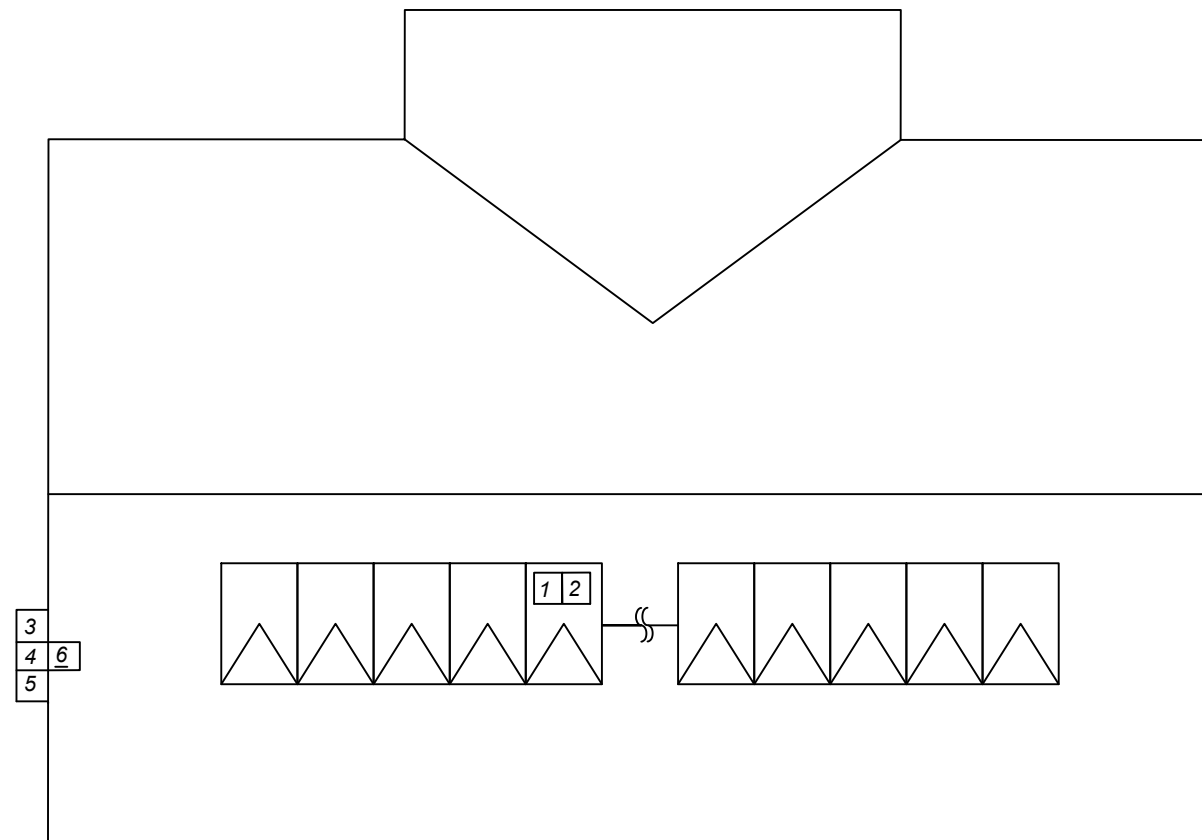
DER SAMPLE ONE-LINE

COMMERCIAL ROOFTOP LOAD-SIDE OF SWITCHGEAR
 INTERCONNECTION

DWN:PN	DATE:09/27/2024	SH. 1 OF 1	REV
CHK'D:	APP'D:		0

Residential Site Plans

Madison Gas and Electric

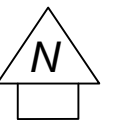


STREET NAME

LEGENDS

- 1: Solar Panels
- 2: Microinverter(s)
- 3: MGE Utility Meter
- 4: MGE PV Disconnect*
- 5: Combiner Box
- 6: Main Service panel

*The PV Disconnect will be within 10' of the utility meter



PROJECT INFORMATION

ADDRESS:
123 EXAMPLE STREET,
CITY, STATE 00000

SYSTEM DETAILS

DC SYSTEM SIZE: __ kW.
AC SYSTEM SIZE: __ kW.
MAXIMUM POWER: __ kW.
OPERATING VOLTAGE: __ V.

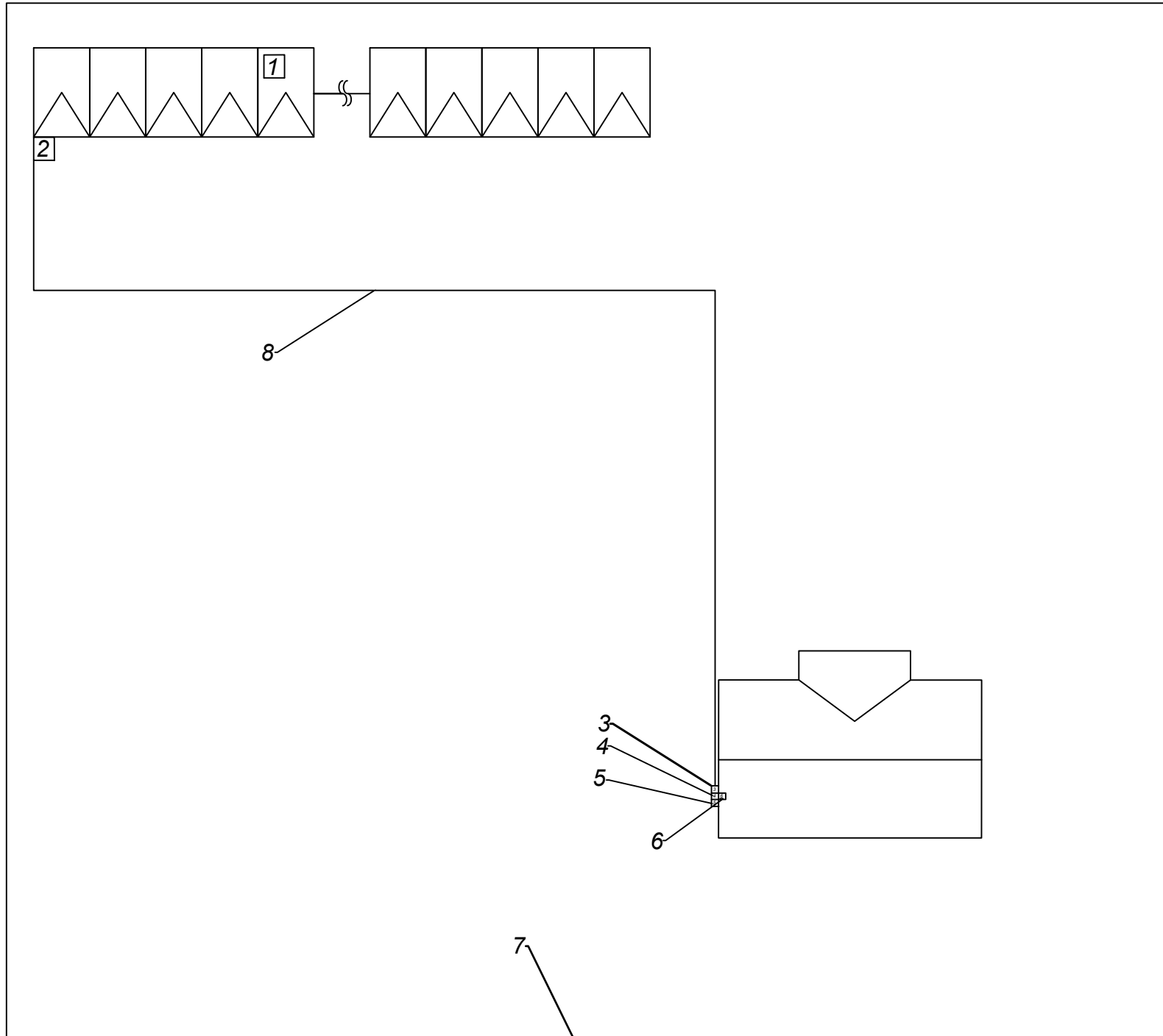


**MADISON
GAS & ELECTRIC CO.**
MADISON - WISCONSIN

DER SAMPLE ONE-LINE

RESIDENTIAL SITE PLANS

DWN: PN	DATE: 10/15/2024	SH. 1 OF 1	REV
CHK'D:	APP'D:		0

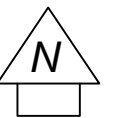


STREET NAME

LEGENDS

- 1: Solar Panels
- 2: Microinverter(s)
- 3: MGE PV Disconnect*
- 4: MGE Utility Meter
- 5: Combiner Box
- 6: Main Service panel
- 7: Property Line
- 8: Trench (Length and depth)

*The PV Disconnect will be within 10' of the utility meter



PROJECT INFORMATION

ADDRESS:
123 EXAMPLE STREET,
CITY, STATE 00000

SYSTEM DETAILS

DC SYSTEM SIZE: __ kW.
AC SYSTEM SIZE: __ kW.
MAXIMUM POWER: __ kW.
OPERATING VOLTAGE: __ V.



**MADISON
GAS & ELECTRIC CO.**
MADISON - WISCONSIN

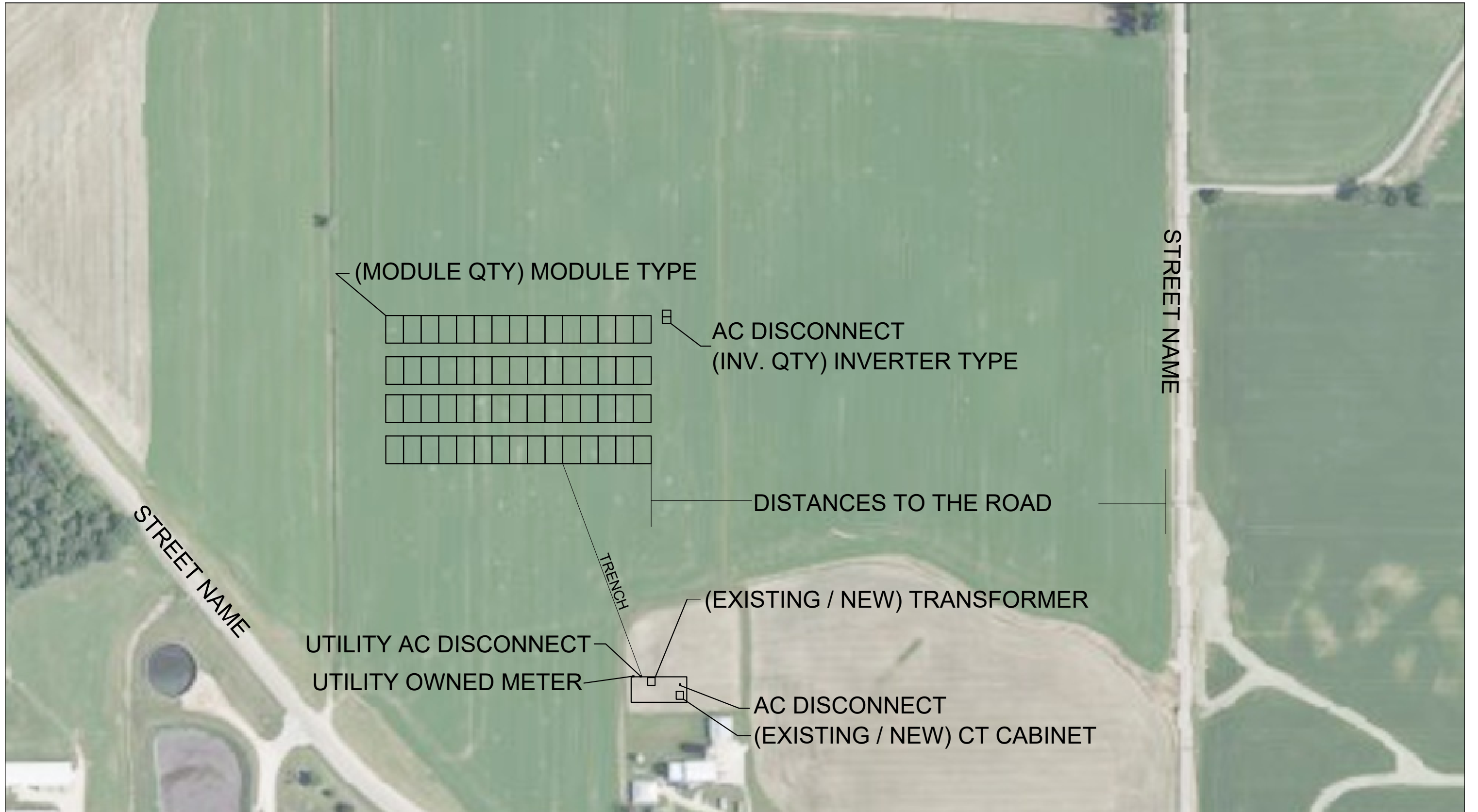
DER SAMPLE ONE-LINE

RESIDENTIAL GROUND MOUNT
SITE PLANS

DWN: PN	DATE: 10/15/2024	SH. 1 OF 1	REV
CHK'D:	APP'D:		0

Commercial Site Plans

Madison Gas and Electric



PROJECT INFORMATION

ADDRESS:
123 EXAMPLE STREET,
CITY, STATE 00000

SYSTEM DETAILS

DC SYSTEM SIZE: __ kW.
AC SYSTEM SIZE: __ kW.
MAXIMUM POWER: __ kW.
OPERATING VOLTAGE: __ V.

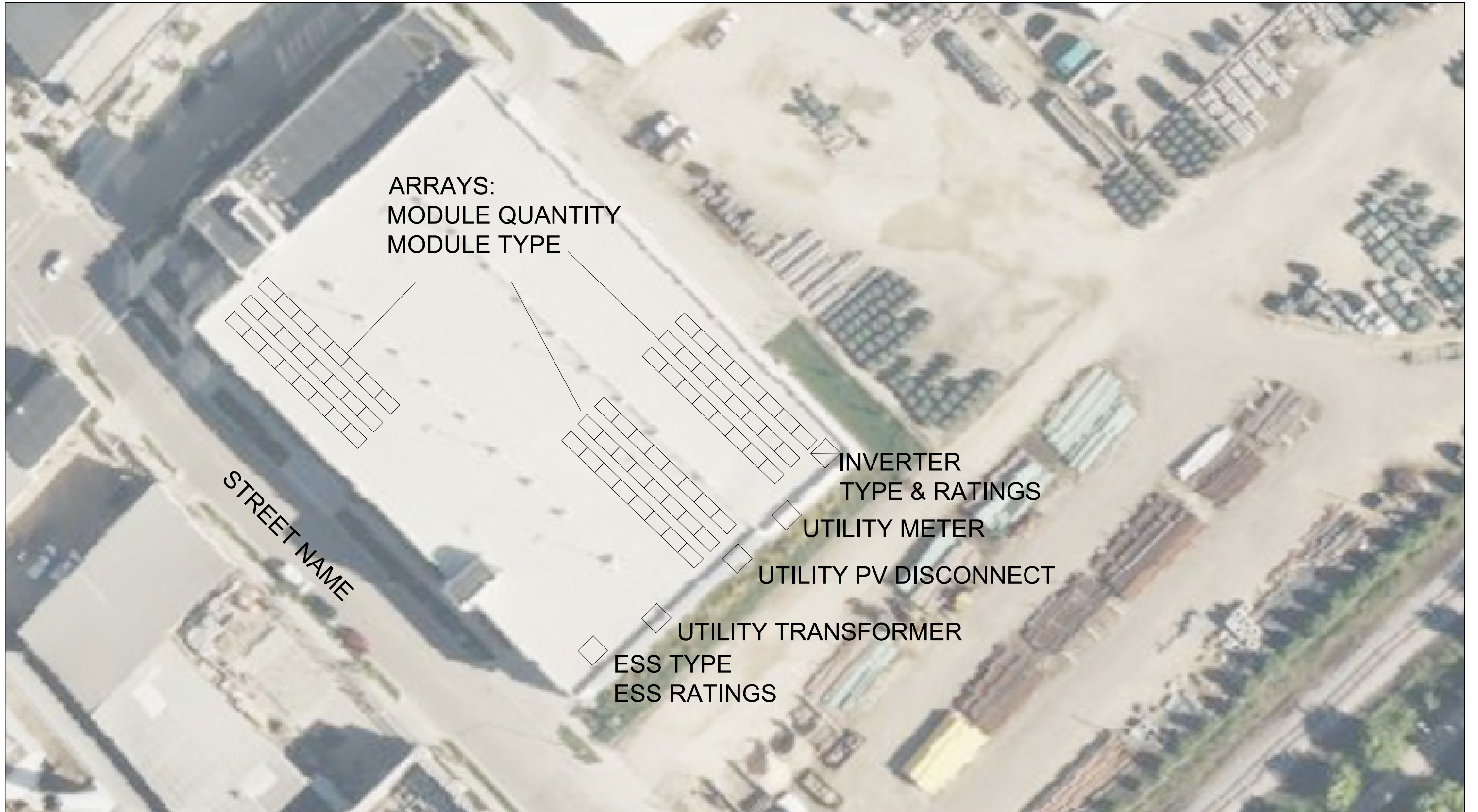


MADISON
GAS & ELECTRIC CO.
MADISON - WISCONSIN

DER SAMPLE ONE-LINE

GROUND MOUNT SITE PLANS - COMMERCIAL

DWN: PN	DATE: 10/15/2024	SH. 1 OF 1	REV
CHK'D:	APP'D:		0



ARRAYS:
MODULE QUANTITY
MODULE TYPE

STREET NAME

INVERTER
TYPE & RATINGS

UTILITY METER

UTILITY PV DISCONNECT

UTILITY TRANSFORMER

ESS TYPE
ESS RATINGS

PROJECT INFORMATION

ADDRESS:
123 EXAMPLE STREET,
CITY, STATE 00000

SYSTEM DETAILS

DC SYSTEM SIZE: __ kW.
AC SYSTEM SIZE: __ kW.
MAXIMUM POWER: __ kW.
OPERATING VOLTAGE: __ V.



MADISON
GAS & ELECTRIC CO.
MADISON - WISCONSIN

DER SAMPLE ONE-LINE

ROOF MOUNT SITE PLANS - COMMERCIAL

DWN: PN	DATE: 10/15/2024	SH. 1 OF 1	REV
CHK'D:	APP'D:		0